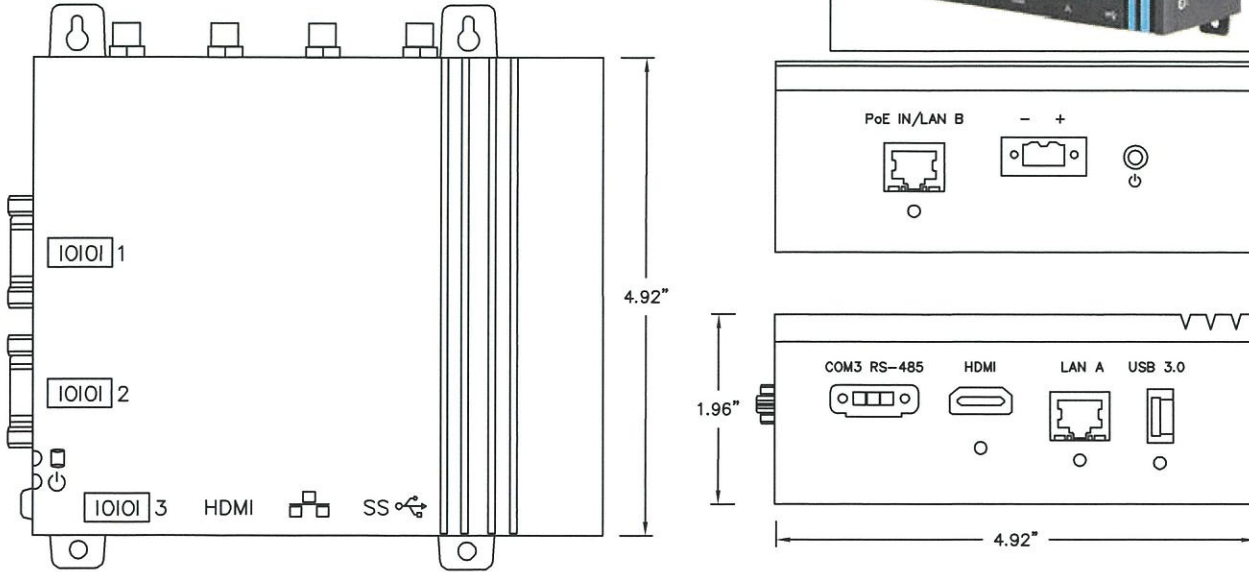
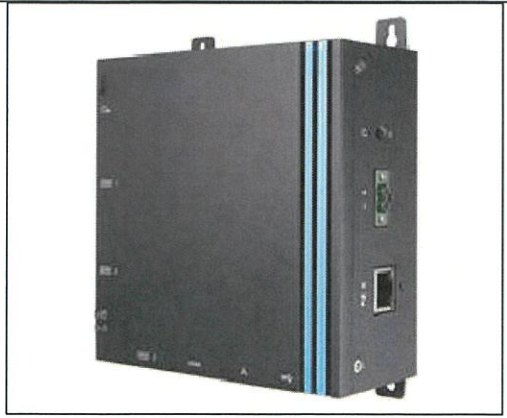


DISIO CLOUD BUILDING MANAGER

FEATURES:

- INTERFACE TO BACnet IP DEVICES IN BUILDING VIA WEB PAGE AND MOBILE APPLICATIONS
- ADD PRICE BACnet ROUTERS TO NETWORK WITH MS/TP SEGMENTS
- CAN BE CONFIGURED FOR REMOTE ACCESS VIA WEB ADDRESS
- ALL POINT HISTORY STORED FOREVER IN THE CLOUD OR LOCALLY FOR UP TO TWO WEEKS
- ANIMATED GRAPHIC SCREENS (BUILT-IN TEMPLATES FOR PRICE DEVICES - I.E. PRTU, PIC AND PRODIGY)
- SUPPORTS USER DEFINED GRAPHICS AND FLOOR PLANS
- PRICE CAN QUOTE AND SUPPLY CUSTOM GRAPHICS



P/N 250000-924

SPECIFICATIONS:

- 10~30 VDC, 12W (TYPICAL), 20W (MAX)
- [2] ETHERNET PORT 10/100/1000 Mbps (DEFAULT IP ADDRESS: 192.168.1.100:5000)
- SERVES UP WEB PAGES IN ANY BROWSER
- STAND ALONE, WEB BASED GRAPHICAL INTERFACE
- BACNET/IP PROTOCOL
- SCHEDULING
- ALL SETUP AND USER INTERACTION PERFORMED VIA WEB BROWSER
- HISTORICAL TRENDING (SUPPORTS EXPORT TO EXCEL)
- ALARM CONDITION MONITORING WITH EMAIL NOTIFICATION
- MULTIPLE USER PERMISSIONS (BASIC TO ADMINISTRATOR)
- SUPPORTS MULTIPLE SIMULTANEOUS USERS (UP TO 10)

RECOMMENDATIONS:

- OBSERVE "24V HOT" AND "COMMON" POLARITY ON ALL NETWORKED DEVICES
- GROUND "24V COMMON" TO "EARTH GROUND"
- MAXIMUM RECOMMENDED LENGTH OF ETHERNET (10/100 Mbps) CABLE 328 FEET (100 METERS)
- MUST BE MOUNTED INSIDE ENCLOSURE

ALL METRIC DIMENSIONS () ARE SOFT CONVERTED. IMPERIAL DIMENSIONS ARE CONVERTED TO METRIC AND ROUNDED TO THE NEAREST MILLIMETER.

PROJECT:		PRICE [®]	
ENGINEER:		<i>MB</i> <i>SF</i>	DISIO CLOUD BUILDING MANAGER HUB CLOUD BASED FRONT END
CUSTOMER:		273365	
SUBMITTAL DATE:	SPEC. SYMBOL:	2021/03/03	